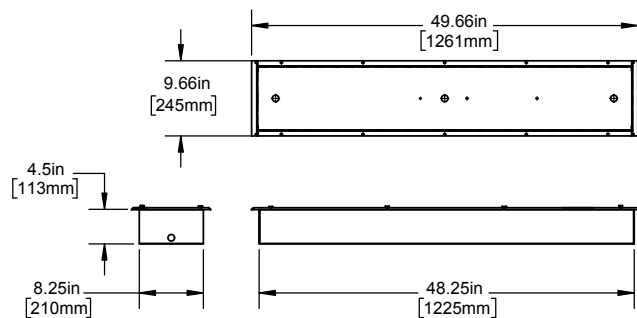
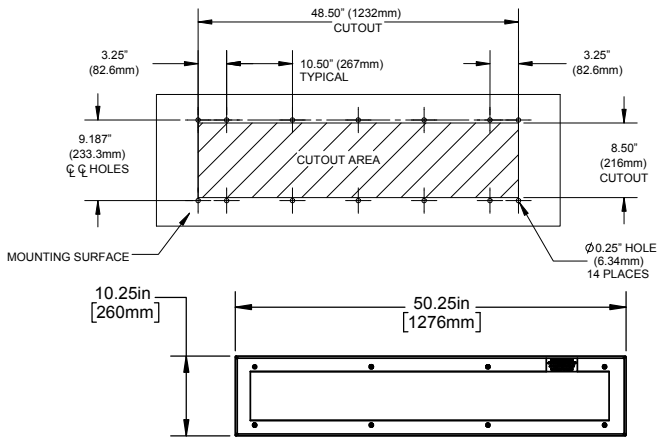


Component Hardware® LED Strip Light For Commercial Cooking Hoods

LED-L82-1040-50x

 LED-L82-1040-50W Warm White
 LED-L82-1040-50N Natural White


Dimensions shown in inches (mm) are for reference only and are subject to change.

Power = 53 W
 Voltage = 100-277 VAC
 Current = 0.53-0.19 A
 Frequency = 50/60 Hz



Warranty - 5 year

Low profile, high output, energy efficient LED lights

Approved for use in non-dwelling applications
Specifically designed for commercial cooking hoods

- Listed for up to 75°C (167°F) operation
- Color Rendering Index > 80
- Meets all requirements of NFPA 96 and NEC 410
- NSF Listed, RoHS Compliant

Environmentally friendly, energy efficient

- LED lamps contain no mercury or other hazardous materials
- Contributes to LEED® energy use reduction credits
- 50,000 hour lamp life
- Easily retrofit for inefficient fluorescent lights
- Long LED life means reduced maintenance costs
- Higher light output for a brighter, safer work environment

Bright, focused light

- Highest efficacy (lumens/watt) available - Exceeds Federal Energy Act requirements
- Instant on, no ballast to warm up
- No ultraviolet rays: Does not attract insects

Attractive design

- Recess mount installation
- Low profile - only 4-1/4" (108mm) high for limited clearance applications
- One piece satin finish stainless steel trim
- Tempered, prismatic glass diffuser

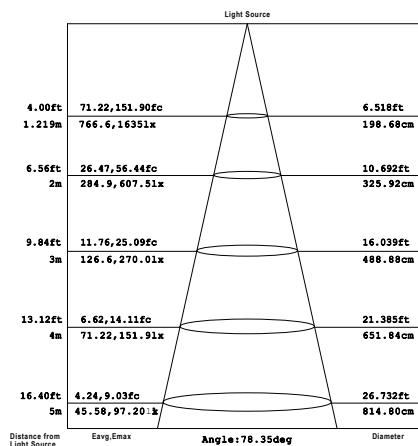
Specifications

Model	Color Temperature	Lumens/Watts	Kelvins	Initial Lumens
LED-L82-1040-50W	Warm White	92	3000	4877 Lumens
LED-L82-1040-50N	Natural White	93	4000	4925 Lumens

Do not use with dimmers.

L82 luminaires -

Rated for wet locations.

LED-L82-1040-50N

LED-L82-1040-50W
